



A RICE LAKE WEIGHING SYSTEMS COMPANY

GPE XT

GPE SERIES "XT" ELECTRONIC RETAIL SCALES FOR ITINERANT SALES



Sturdy electronic retail scales, completely made in brushed stainless steel, battery operation, and perfect for itinerant sales. The new design of the scale and the plate ensures the maximum weighing accuracy and impact protection.

Scales and solutions for retail



FEATURES

- Dual alphanumeric backlit white LCD display, operator and client side. The backlight function can be removed.
- Double waterproof keyboard consists of 27 membrane keys plu / functions easily customizable thanks to the special side pocket and 35 mechanics. 8 operator
- Thermal printer speed of 80mm/sec for normal thermal paper or for Linerless adhesive type with paper 57mm wide, and outer diameter max. 50mm.
Print width of up to 48mm.
- System for easily loading the paper. Print function of the logo.
- Completely stainless steel body, dimensions 390x386x140mm (LxWxH).
- Stainless steel plate, 360x235mm (LxW) size.
- 230Vac power supply with long-lasting built-in rechargeable battery.

FUNCTIONS

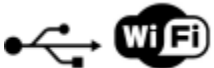
- Database of 3000 PLU's, 48 with direct access.
- 50 PLU groups.
- 600 ingredient lists.
- 9 VAT rates.
- 10 advertisement messages.
- Queue-system.
- 8 payment modes.
- 2 kinds of short and long term totals.
- 20 operators, including 8 direct.
- 3 programmable password levels.
- Operation mode: PLU priority, single item, multi-operator tickets.
- Weighing tare, operator tare, PLU tare, pre-stored and configurable tare.
- Prints logos, EAN13 and EAN8 barcodes, dynamic QR codes.
- Reopening of the last operator ticket, discounts, rebates, cash management, customer management.

I/O SECTIONS

- 2 RS232 interfaces for connection to PC, modem, scanner, Helmac cash register.
- RS485 interface for connection with up to 4 scales in a local network.

INFORMATION

- Available upon request

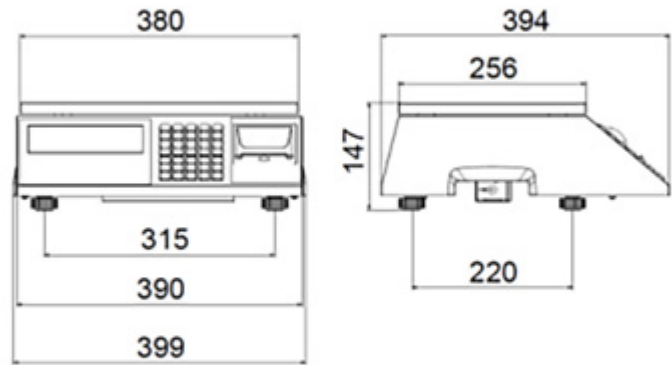


- Approval:

DETAIL 1



DETAIL 2



New Keyboard Mechanics, for the operational part and membrane for PLU, easily customizable thanks to the convenient pocket

Dimensions in mm weight: 10,0 Kg

DETAIL 3



YOUR
WORLDWIDE
PARTNER

FOR RETAIL
SOLUTIONS



www.helmac.com



HEAD OFFICE

Via della Fisica, 18
41042 Spezzano di Fiorano (MO) • Italy
Tel.: +39 0536 070960

WAREHOUSE

Via della Fisica, 15
41042 Spezzano di Fiorano (MO) • Italy

SALES AND TECHNICAL ASSISTANCE SERVICE

All the specifications and images can be subject to variations and upgrades without prior notice.